

# MSR heavy-duty channel technology | BR100

The MSR aluminium supporting profile BR100 - the profile of the future - strong & multifaceted for example for x-ray heavy-duty ceilings from wall to wall or for heavy-duty ceiling areas, for decades.

It can bear medium x-ray machines and medical auxiliary equipment or any other ceiling mounted fixture **up to a point load of 15 kN.**

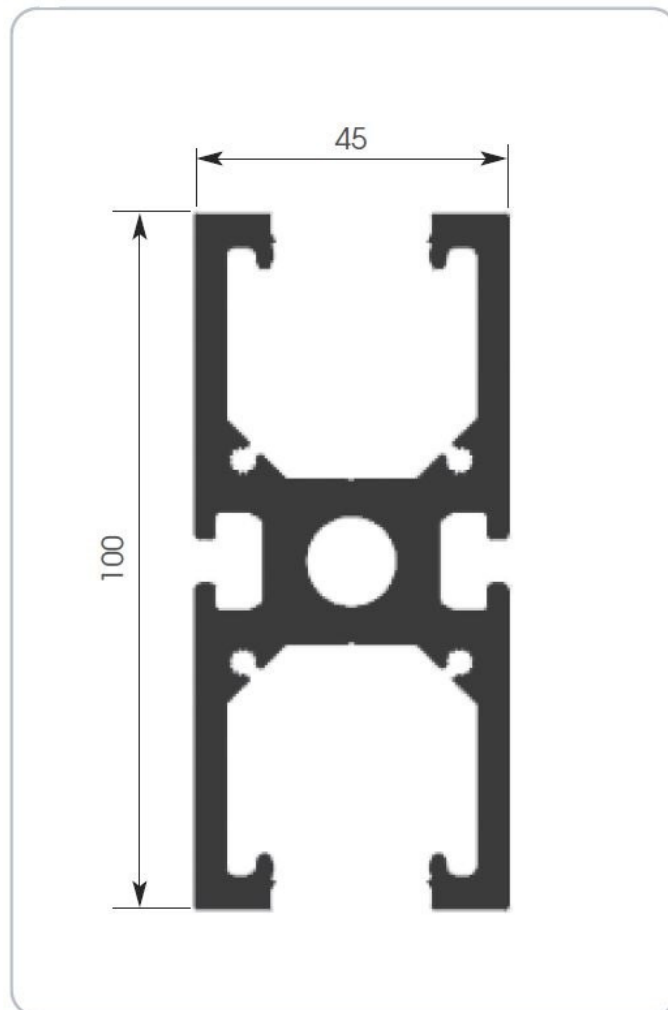
This profile meets all international requirements regarding the grooves, so that all regular nuts can be inserted at any position.

Recommended span  
with deflection  $f=1,0$  mm

6,0 kN = 860 mm

8,0 kN = 780 mm

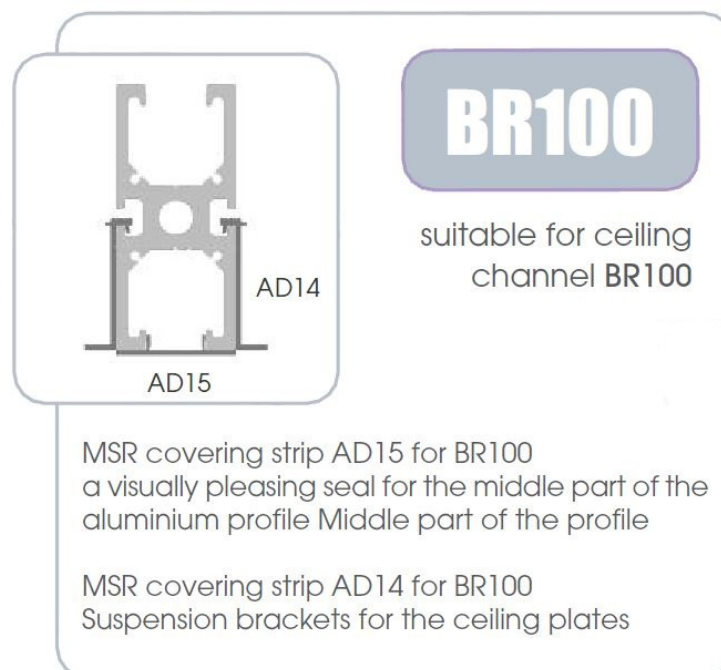
15 kN = 670 mm



## Accessories | MSR closer strips

for the visually pleasing of the lower sealing of the aluminium profile

MSR closer strips are powder-coated, thus guaranteeing the highest product quality. The sealing of the channels is therefore completely guaranteed, hygienically permitted, washable and sterilisable.



Standard RAL color 9016. Other RAL colors available.

**We will be pleased to send you all detail information. Please give us a call!**